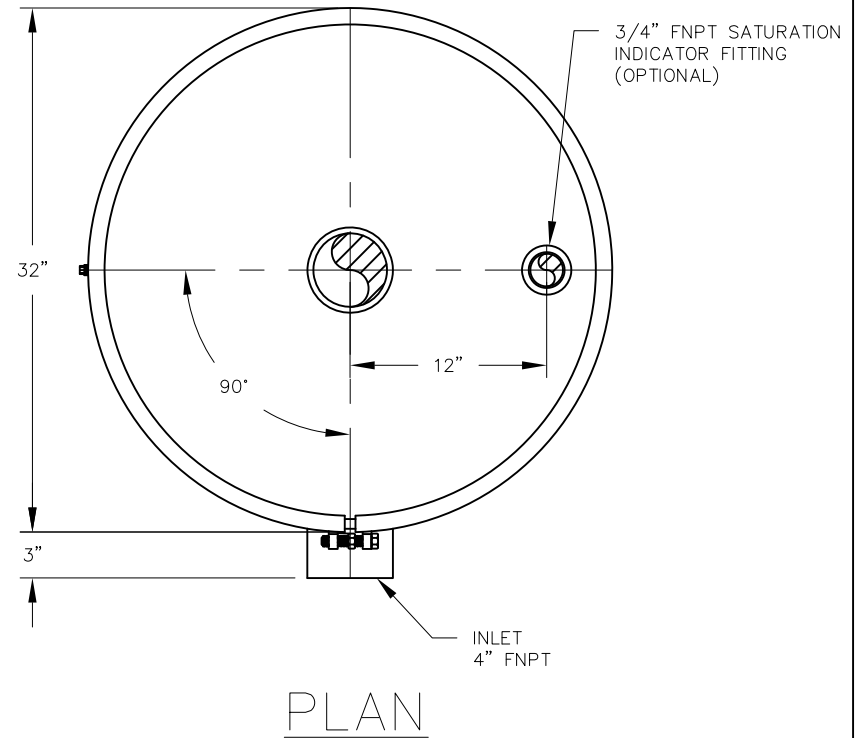


ELEVATION



PLAN

VESSEL STANDARDS

VESSEL MATERIALS : CARBON STEEL	APPROXIMATE VOLUME OF VESSEL : 16 FT <sup>3</sup>
LINING : EPOXY PHENOLIC	STANDARD CARBON FILL : 350 LBS
EXTERIOR PAINT : ACRYLIC ALKYD ENAMEL	SHIP WEIGHT : 530 LBS
INTERNALS : S.S. SCREEN	MAXIMUM OPERATING PRESSURE : 1 PSIG
ADSORBENT OUTLET ASSEMBLY : REMOVABLE COVER	MAX. OPERATING TEMPERATURE : 130F
CONDENSATE DRAIN ASSEMBLY : 1/2" PLUG WITH SCREEN	

4	REVISED PER SUPPLIER DIMENSIONS	JB	6/4/18
3	REVISE TITLE BLOCK	JB	1/21/15
2	REVISE TEMPERATURE RATING	JB	9/9/03
1	REVISE TITLE BLOCK	JB	1/30/03
NO.	REVISION	BY	DATE

PROJECT  
N-250(E)

PROJ. NO. SALES  
P.O. NO.



THIS DRAWING AND DESIGN ARE THE PROPERTY OF TIGG CORP. AND SHALL NOT BE REPRODUCED IN WHOLE OR IN PART NOR EMPLOYED FOR ANY PURPOSE OTHER THAN SPECIFICALLY PERMITTED IN WRITING BY TIGG CORP. THIS DRAWING LOANED SUBJECT TO RETURN ON DEMAND.

DRAWN BY ZS  
DESIGN BY BB  
CHKD. BY BB  
DATE 7/3/00  
SCALE NTS

PLAN & ELEVATION

DWG. NO. N-250(E)-1001 REV. 4