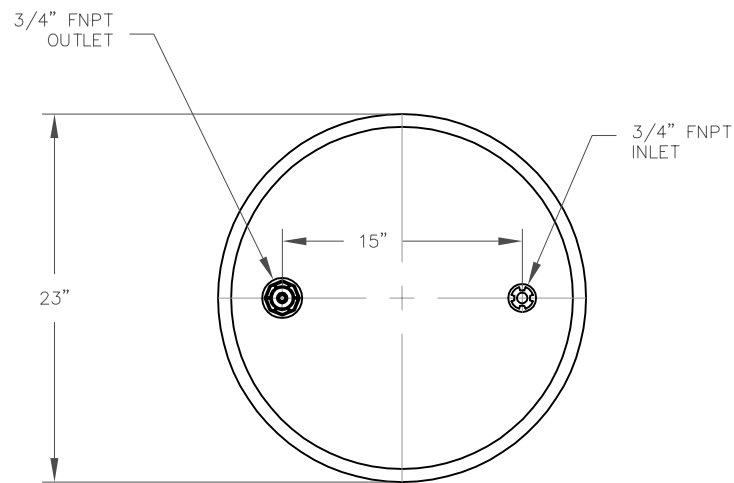


ELEVATION




PLAN

VESSEL STANDARDS

VESSEL MATERIALS : POLYETHYLENE	APPROXIMATE VOLUME OF VESSEL : 7.5 FT ³
LINING : N/A	STANDARD CARBON FILL : 150 LBS
EXTERIOR PAINT : N/A	SHIP WT./ OPERATING WT.(STD. FILL) : 175 LBS / 600 LBS
INTERNALS : PVC	CARBON TYPE : TIGG 5D 1240 LIQUID PHASE
ADSORBENT OUTLET ASSEMBLY : N/A	MAXIMUM OPERATING PRESSURE : 6 PSIG
LIQUID DRAIN ASSEMBLY : N/A	MAXIMUM OPERATING TEMPERATURE : 130°F

3	REVISE PRESSURE RATING	JB	1/2/06
2	REVISE INTERNALS	JB	2/15/05
1	REVISE TITLEBLOCK	JB	6/30/03
NO.	REVISION	BY	DATE

PROJECT		
PROJ. NO.	SALES	
P.O. NO.		
<small>THIS DRAWING AND DESIGN ARE THE PROPERTY OF TIGG CORP. AND SHALL NOT BE REPRODUCED IN WHOLE OR IN PART NOR EMPLOYED FOR ANY PURPOSE OTHER THAN SPECIFICALLY PERMITTED IN WRITING BY TIGG CORP. THIS DRAWING LOANED. SUBJECT TO RETURN ON DEMAND.</small>		
DRAWN BY	ZS	<p>ECONOSORB L</p> <p>ECONOSORB L-1001 REV. 3</p>
DESIGN BY	BL	
CHKD. BY	BL	
DATE	5/1/00	
SCALE	NTS	