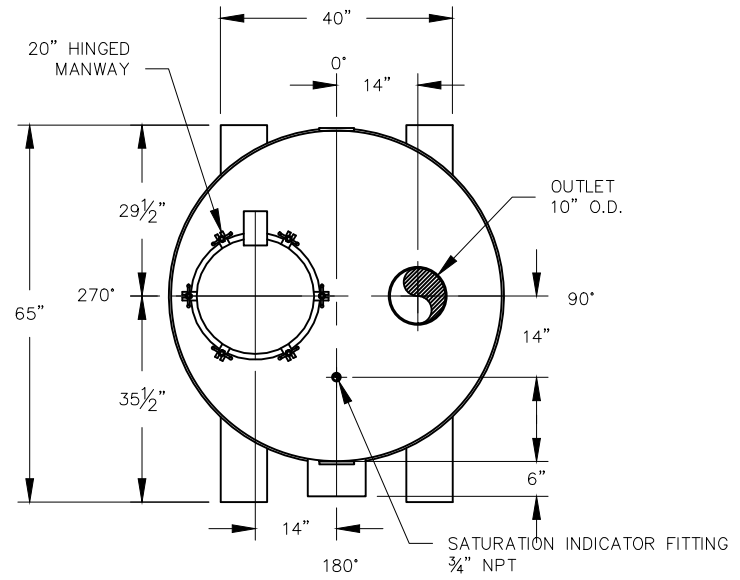


ELEVATION



PLAN

* STAINLESS STEEL BED RETENTION PLATE, 140°F WITH PE PLATE

VESSEL STANDARDS

VESEL MATERIALS : SA-36	VESEL ACCESS : 20" HINGED MANWAY
LINING : EPOXY	LIQUID DRAIN ASSEMBLY : 1" NPT W/ HDPE PLUG
EXTERIOR PAINT : EPOXY BASE W/ URETHANE TOP COAT	MAX. MEDIA FILL : 79 FT ³
HEAD THICKNESS : 3/16" NOM.	SHIP WT. EMPTY : 1400 LBS
SHELL THICKNESS : 3/16" NOM.	MAX. OPERATING PRESSURE : 15 PSIG
INTERNALS : STAINLESS STEEL PLENUM	MAX. OPERATING TEMPERATURE : 180°F

7	ADD LIFT LUGS	CB	4/27/11
6	UPDATE VESSEL STANDARDS	JB	8/24/10
5	HINGED MANWAY	JB	9/6/06
4	REVISE CARBON FILL	JB	1/20/04
3	SUBTRACT VENT	JB	5/14/03
2	CHANGE EXTERIOR PAINT	JB	5/7/03
1	TITLE BLOCK	JB	8/27/02
NO.	REVISION	BY	DATE

PROJECT		N-1800-PDB
PROJ. NO.	SALES	
P.O. NO.	THIS DRAWING AND DESIGN ARE THE PROPERTY OF TIGG CORP. AND SHALL NOT BE REPRODUCED IN WHOLE OR IN PART, NOR EMPLOYED FOR ANY PURPOSE OTHER THAN SPECIFICALLY PERMITTED IN WRITING BY TIGG CORP. THIS DRAWING LOANED SUBJECT TO RETURN ON DEMAND.	
DRAWN BY	ZS	
DESIGN BY	BL	
CHKD. BY	BL	
DATE	9/6/01	
SCALE	NTS	



PLAN & ELEVATION

N-1800-PDB-1001	REV. 7
-----------------	--------