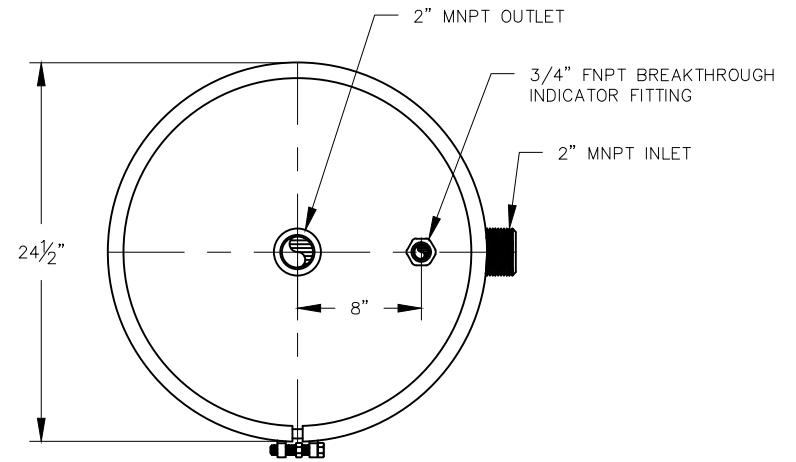


ELEVATION




PLAN

VESSEL STANDARDS

VESSEL MATERIALS : CARBON STEEL	VOLUME OF VESSEL : 7.5 FT ³
LINING : EPOXY PHENOLIC	STANDARD CARBON FILL : 200 LBS
EXTERIOR PAINT : ACRYLIC ALKYD ENAMEL	SHIP WEIGHT : 260 LBS
INTERNALS : STAINLESS STEEL SCREEN	MAXIMUM OPERATING PRESSURE : 6 PSIG
ADSORBENT OUTLET ASSEMBLY : REMOVABLE COVER	MAXIMUM OPERATING TEMPERATURE : 200°F
LIQUID DRAIN ASSEMBLY : N/A	

3	REMOVE DRAIN	JB	5/28/13
2	ROTATE DRAIN 90° FROM INLET	JB	1/10/06
1	GENERAL	JB	6/11/03
NO.	REVISION	BY	DATE

PROJECT		
N-100		
PROJ. NO.	SALES	
P.O. NO.		
<small>THIS DRAWING AND DESIGN ARE THE PROPERTY OF DGS CORP. AND SHALL NOT BE REPRODUCED IN WHOLE OR IN PART NOR EMPLOYED FOR ANY PURPOSE OTHER THAN SPECIFICALLY PERMITTED IN WRITING BY TIGG CORP. THIS DRAWING LOCKED SUBJECT TO RETURN ON DEMAND.</small>		
DRAWN BY	ZS	PLAN & ELEVATION DWG. NO. N-100-1001 REV. 3
DESIGN BY	BL	
CHKD. BY	BL	
DATE	10/12/99	
SCALE	NTS	