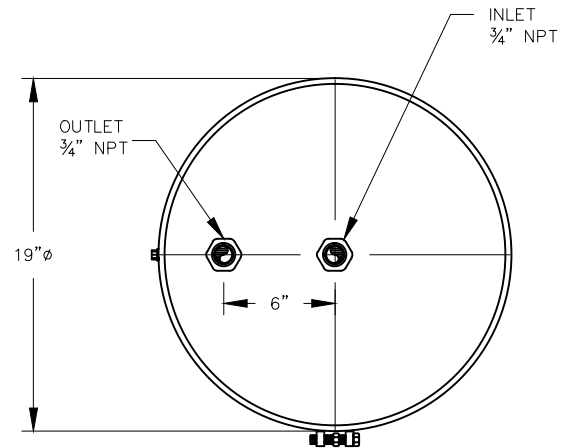


ELEVATION



PLAN

VESSEL STANDARDS

VESEL MATERIALS : CARBON STEEL	VOLUME OF VESSEL : 30 GAL.
LINING : DOUBLE EPOXY / PHENOLIC	MAXIMUM MEDIA FILL : 4 FT ³
EXTERIOR PAINT : ACRYLIC ALKYD ENAMEL	SHIP WT. (EMPTY) : 40 LBS
INTERNALS : SCH 40 PVC	MAXIMUM OPERATING PRESSURE : 6 PSIG
ADSORBENT OUTLET ASSEMBLY : REMOVABLE LID	MAXIMUM OPERATING TEMPERATURE. : 130°
LIQUID DRAIN ASSEMBLY : $\frac{3}{8}$ " - 16	

3	REVISE PRESSURE RATING	JB 11/2/07
2	DRAIN ELEVATION	JB 5/5/03
1	ADD DRAIN	JB 3/4/03
NO.	REVISION	BY DATE

PROJECT

C-5-OH
DRUM

PROJ. NO. SALES

P.O. NO.

THIS DRAWING AND DESIGN ARE THE PROPERTY OF TIGG CORP. AND SHALL NOT BE REPRODUCED IN WHOLE OR IN PART, NOR EMPLOYED FOR ANY PURPOSE OTHER THAN SPECIFICALLY PERMITTED IN WRITING BY TIGG CORP. THIS DRAWING LOANED SUBJECT TO RETURN ON DEMAND.

DRAWN BY ZS

DESIGN BY BL

CHKD. BY BL

DATE 10/12/99

SCALE NTS



PLAN & ELEVATION

DWG. NO. C-5-OH-1001

REV. 3